

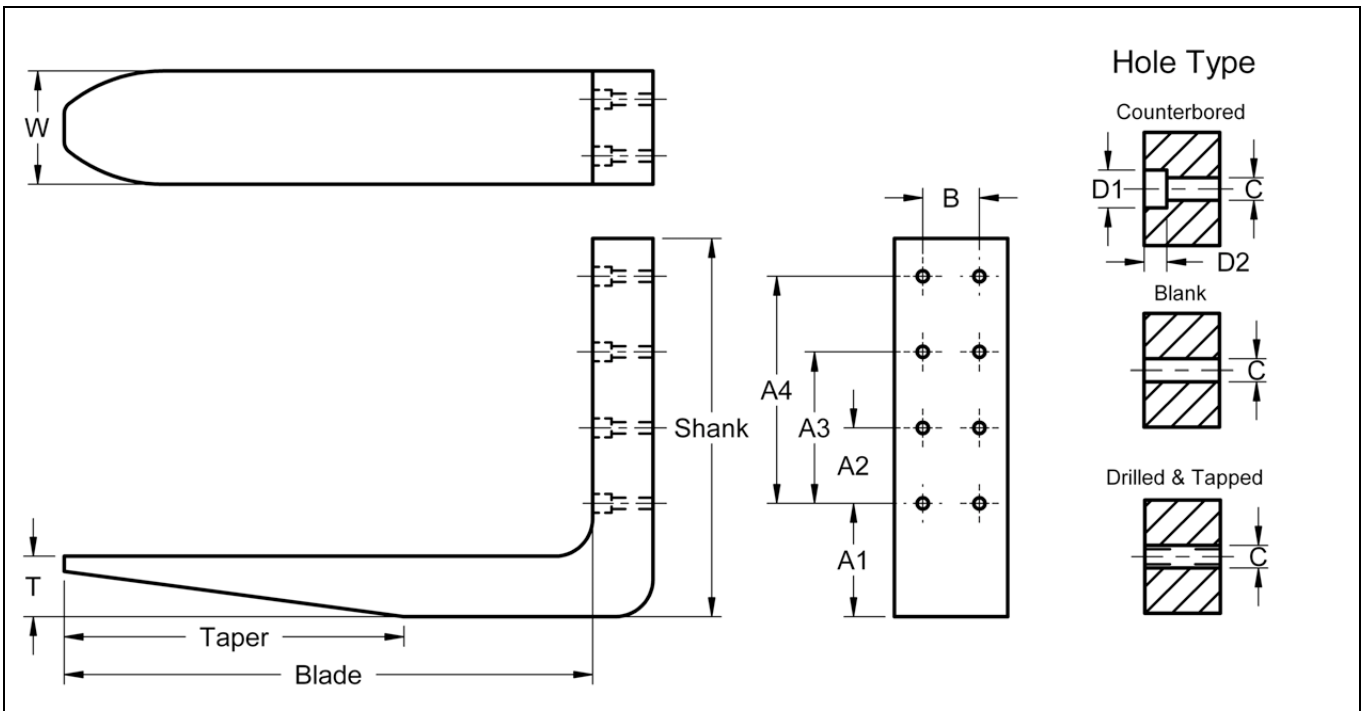


BOLT-ON FORKARM

CONTACT NAME		EMAIL	
ORGANISATION		MOBILE	
ADDRESS		TEL.	()
CITY/TOWN		STATE	POST CODE

INFORMATION & SPECIFICATIONS REQUIRED FOR QUOTATION

Quantity Required	Truck Capacity	Load Centre	Truck or Attachment Make	Truck or Attachment Model	
pairs	kg/pr				
Width W	Thickness T	Blade	Shank	Hole Quantity	Hole Type



For MANUFACTURE check & provide hole pattern and specify dimensions "A", "B", "C" & "D"

Loadarm tapers, toes & tips are supplied unless otherwise specified. Irregular specifications may cost more.