
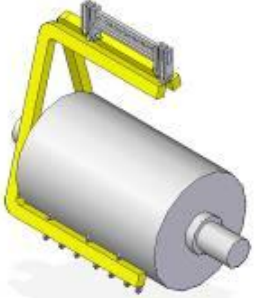
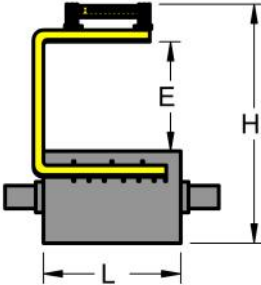
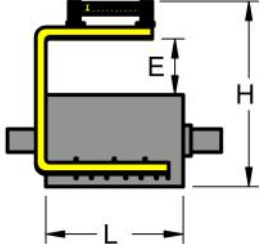


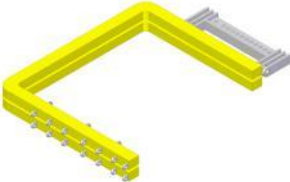
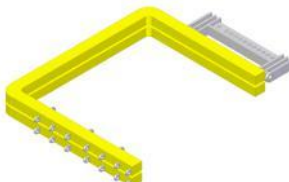


# PULLEY LIFTER

CONTACT NAME		EMAIL	
ORGANISATION		MOBILE	
ADDRESS		TEL.	(    )
CITY/TOWN		STATE	POST CODE

**PULLEY LIFTER**

Pulley Lifter Design Requirements		Held Below Legs	Held Above Legs
Lift & Carry Pulley	Above Legs <input type="checkbox"/> Below Legs <input type="checkbox"/> Above & Below Legs <input type="checkbox"/>		
Pulley Weight kg			
Pulley Diameter			
Pulley Length L			
Lifter Overall Height H maximum (if required)			
Lifter Inside Clearance E minimum (if required)			
Legs MUST be Confined within square area of Pulley (installation restrictions)	no <input type="checkbox"/> yes <input type="checkbox"/>		
Lifter MUST lie Flat when transported	no <input type="checkbox"/> yes <input type="checkbox"/>		

CHAINS & LINKS PROVIDED WITH LIFTER  
 DESIGN CAPACITY (WLL) = PULLEY WEIGHT @ LC (LENGTH/2+100)  
 PULLEY LIFTER IS PROOF LOAD TESTED @ minimum 2x DESIGN CAPACITY (WLL)